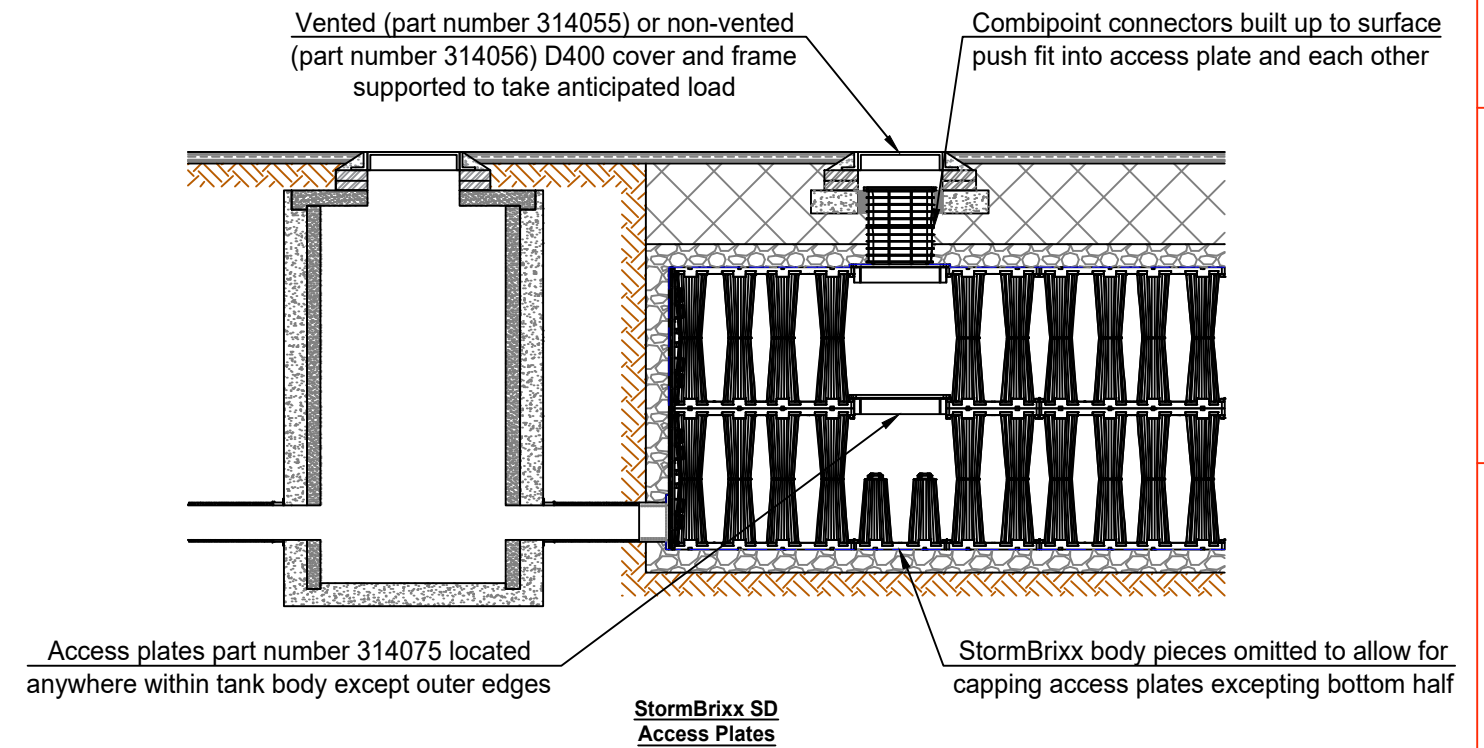
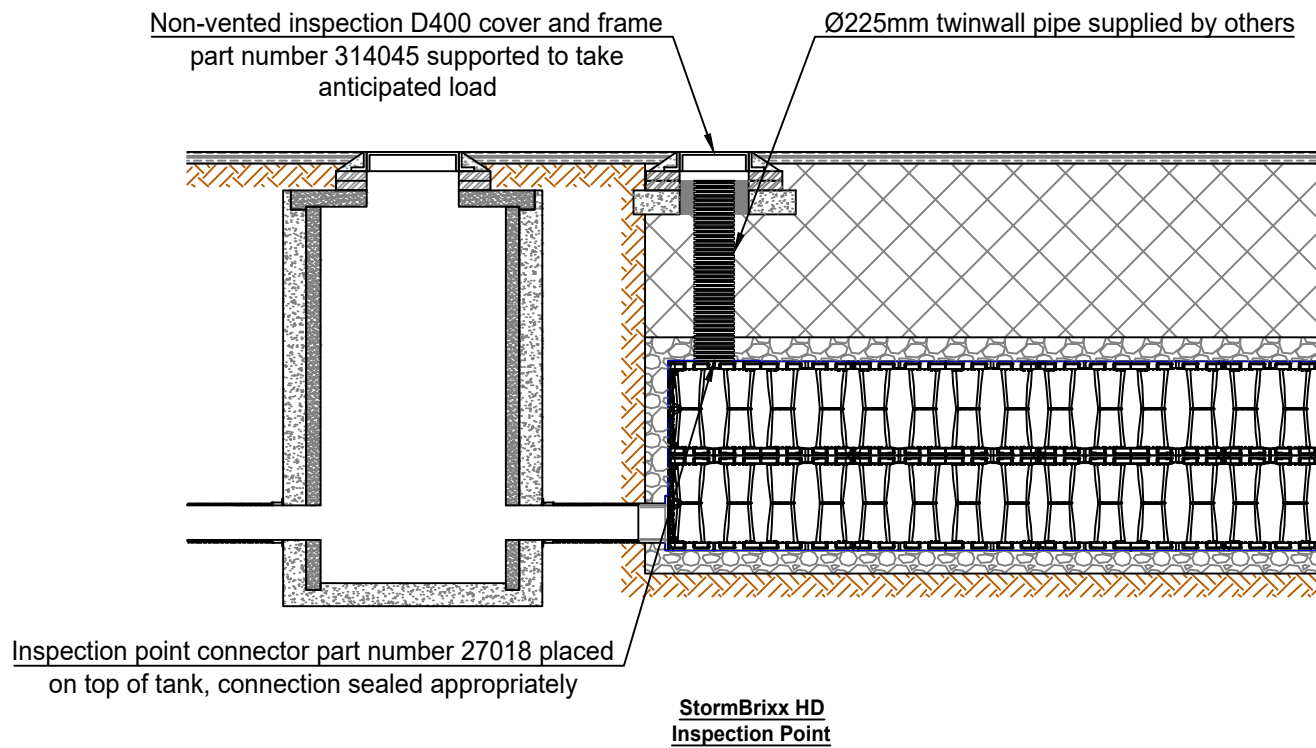
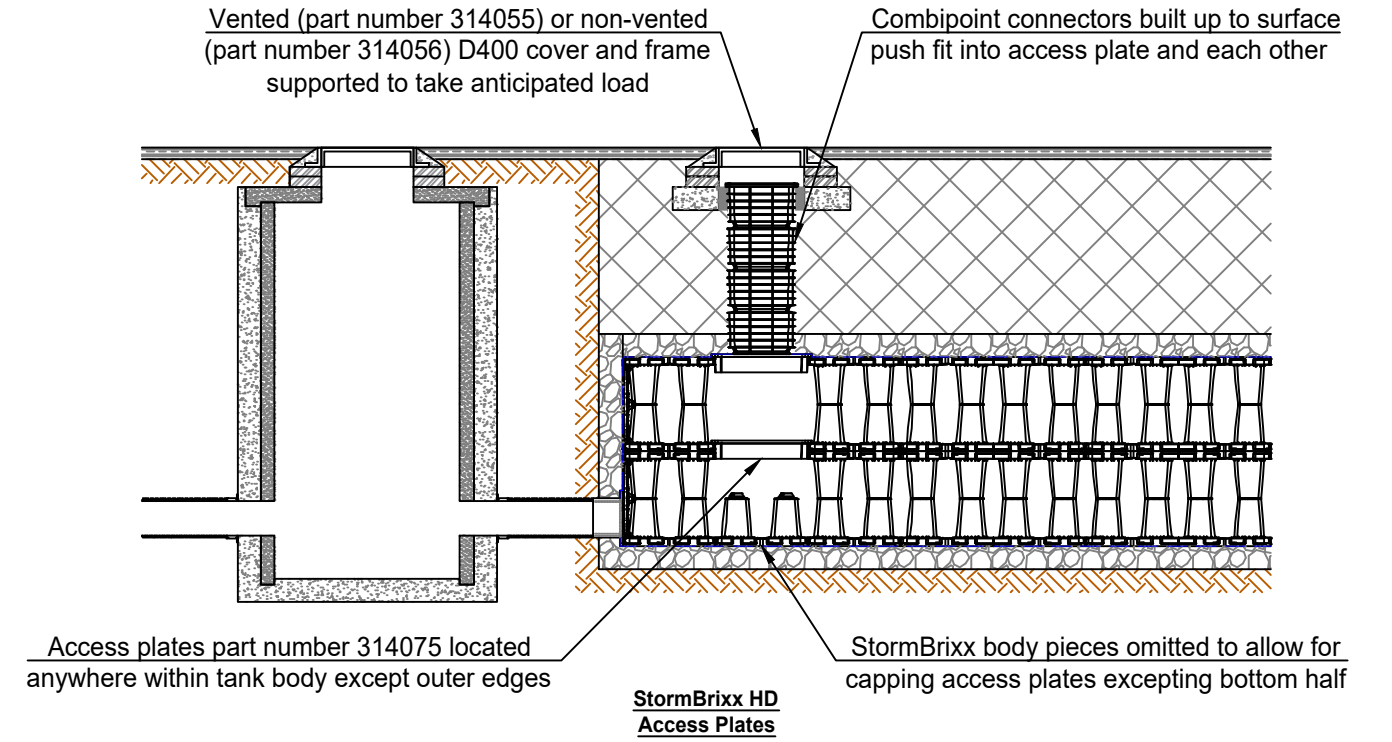
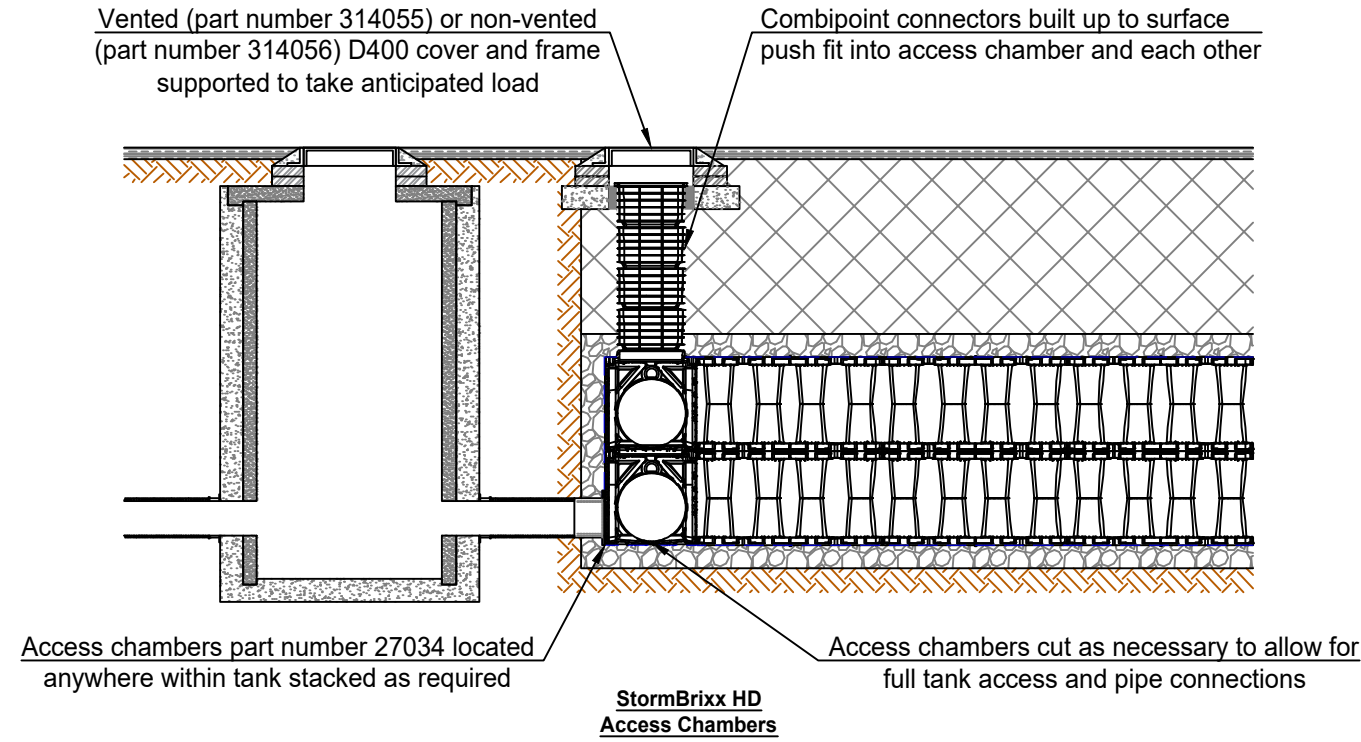

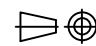


# Access Configurations



Minimum cover depths <sup>(1)</sup> over the top of ACO StormBrixx		
Location	HD <sup>(2)</sup>	SD
Non-Trafficked areas i.e landscaping	0.5 <sup>(3)</sup>	Consult ACO
Car parks, vehicles up to 2500kg gross mass	0.6	Consult ACO
Car parks, occasional vehicles greater than 2500kg <sup>(4)</sup> mass	0.75	Consult ACO
Occasional HGV traffic up to 44000kg GVW (HA loading)	Consult ACO	Consult ACO

- (1) Assumed 27° load distribution angle through fill material and overlaying surface asphalt or block paving
- (2) Please check minimum frost check cover depths for geographical location
- (3) Minimum cover depth to avoid accidental damage from gardening/landscaping work
- (4) Occasional trafficking by refuse collection or similar vehicles (typically one per week)

A	25/10/17	Initial Issue	P.J
Version	Date	Description	Name
 <p>ACO Business Park Hitchin Road Shefford Bedfordshire SG17 5TE, UK Tel: 01462 816666 www.aco.co.uk</p>		Drawing Number: 23768	Revision: A
		<p>Title: <b>ACO StormBrixx Typical Access Detail Installation Detail Drawing</b></p>	
Created by: P.J	Released by: L.D	Projection: ISO-A 	Units: mm
Created at: 25/10/17	Released at: 25/10/17		Format: A3
Replacement for: -	Replaced by: -		Scale: 1 : 5
Information contained in this drawing is copyright property of ACO Technologies plc. Any reproduction in part or whole without written permission of ACO Technologies plc is prohibited			Sheet: 1 of 1